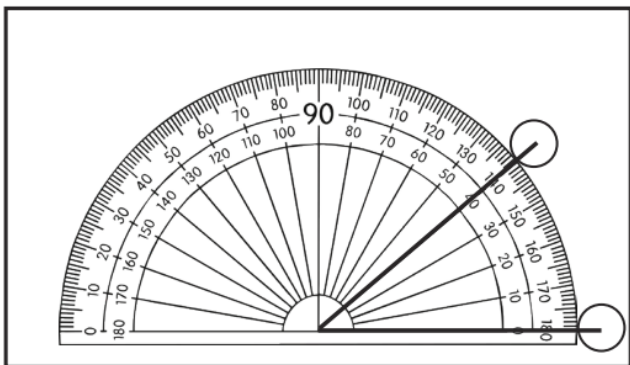
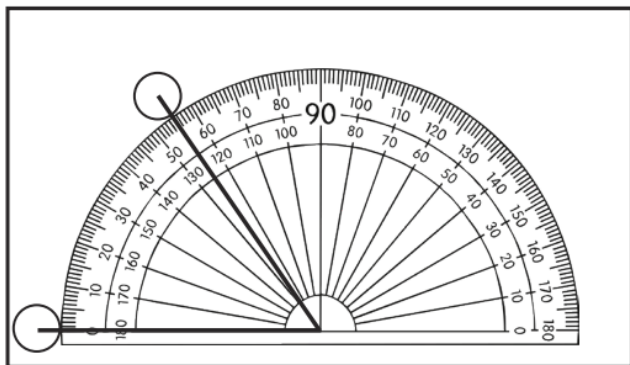


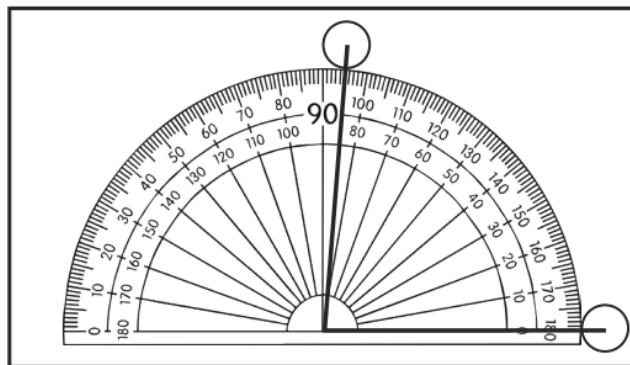
1) What is the size of the acute angle marked in each diagram?



= \_\_\_\_\_ °



= \_\_\_\_\_ °



= \_\_\_\_\_ °

1) What is the size of the acute angle marked in each diagram?

